

Termination (Low Power Precision)

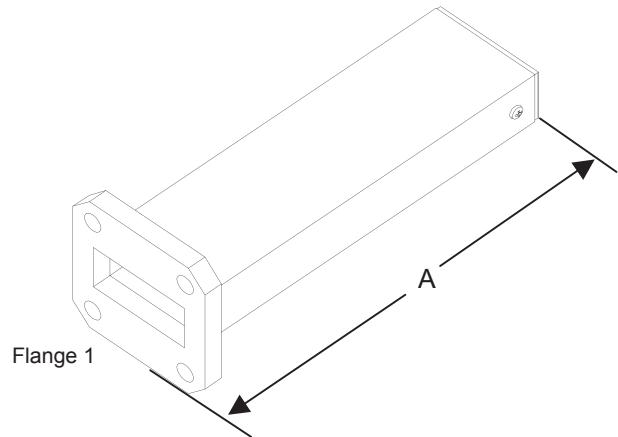
Series No: 131

Part Description

UBS' standard product line of precision low power terminations use spear load elements for optimum electrical performance. Maximum power handling capacity:
 0.5 watt for waveguide sizes WR-28 to WR-42, 1 watt for WR-51 and WR-62, 2 watts for waveguide sizes WR-75 to WR-650.

Ordering Data

Part number - 131 - X - X - X
 Series No. _____
 WG Size _____
 Flange 1 _____
 Flange 1 Mounting _____



Flange Configuration

Flange Type	C - Cover G - Groove CHOKE CMR CPR(F, G)
Flange Mounting Holes	T1 - Through Holes T2 - Threaded A - Alternating

Electrical Specification

VSWR	< 1.02 max.
-------------	-------------

STANDARD FINISH: is electroless corrosion protection for the metal surface. Non standard configurations and finishes (Silver, Nickel, Cadmium plating) are available upon request. Waveguide sizes up to WR-650 available. Contact our sales department with your requirements.

Specifications

Size	Frequency GHz	Dimensions (inches) A (min)
WR28	26.50 - 40.00	2.50
WR34	22.00 - 33.00	2.50
WR42	18.00 - 26.00	2.59
WR51	15.00 - 22.00	3.25
WR62	12.40 - 18.00	3.43
WR75	10.00 - 15.00	4.30
WR90	8.20 - 12.40	4.31
WR112	7.05 - 10.00	3.58
WR137	5.85 - 8.20	4.23
WR159	4.09 - 7.05	3.00
WR187	3.95 - 5.85	3.00
WR229	3.30 - 4.90	7.50
WR284	2.60 - 3.95	11.00
WR340	2.20 - 3.30	11.18
WR430	1.70 - 2.60	-
WR650	1.12 - 1.70	-